



NEW
DESIGN

Vehicle controls not included.
The product shown may differ from
standard configuration.

ACTIMO[®] EVOLUTION WITH CONTROL CARRIERS

High-End Premium Seat with
Electronical Weight Adjustment



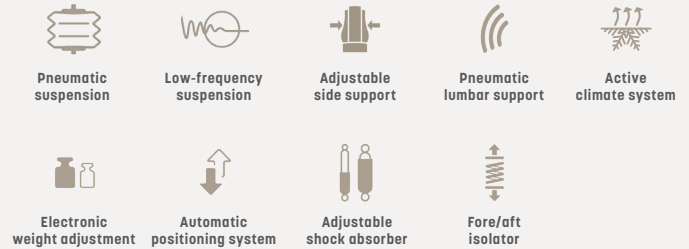
ACTIMO® EVOLUTION

WITH CONTROL CARRIERS

Technical data

High-End Premium Seat

The ACTIMO Evolution with new design and preparation for mounting control carriers boasts a deluxe package of comfort-enhancing features. The seat climate control system has now become more effective with an up to 40% increase in performance compared with the previous system. The pneumatic side contour control in the backrest cushion offers improved side support. Thanks to electronic weight adjustment, the seat fully automatically sets itself to the operator's weight so the seat can unfold its full potential by optimally utilizing the available suspension travel.



Features

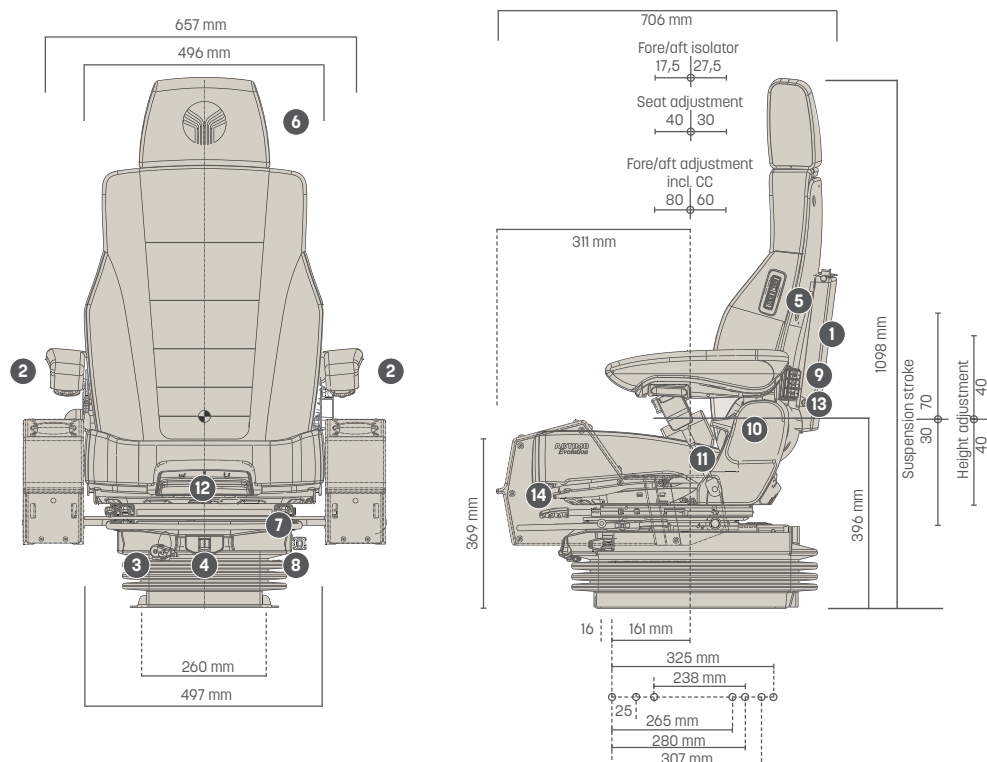
ACTIMO® EVOLUTION CC

ACTIMO® EVOLUTION CC

ARTICLE NO.	Version Fabric/Alcantara, 12 V	1388494	Version Fabric/Alcantara, 24 V	1462954
STANDARD FEATURES				
1	Document box	●		
	APS (Automatic positioning system)	●		
2	Armrests, adjustable angle, 80 x 380 mm	●		
3	Shock absorber, adjustable	●		
	Pneumatic suspension with compressor	●		
	Low-frequency suspension	●		
	Suspension stroke, 100 mm	●		
	Weight adjustment, 50 - 130 kg, electronic	●		
4	Height adjustment, 80 mm, infinite (air-assisted)	●		
5	Climate system, active	●		
5	Seat heating, 2-steps		●	
6	Headrest		●	
	Console for control carrier consoles, pre-assembled		●	
7	Seat adjustment, 70 mm		●	
	Fore/aft adjustment, 140 mm		●	
8	Fore/aft isolator, lockable		●	
9	Lumbar support, pneumatic		●	
10	Adjustable backrest angle		●	
11	Restraint system		●	
	Seat cushion width			490 mm
12	Adjustable seat cushion depth and angle		●	
	Operator presence switch (OPS)		●	
13	Adjustable side support		●	
OPTIONAL FEATURES				
14	Control carrier consoles		○	

Measurements (installation dimensions)

● STANDARD FEATURES ○ OPTIONAL FEATURES



All dimensions in mm.
Subject to technical changes.