



The product shown may differ from standard configuration.

PRIMO® PROFESSIONAL

Compact Seat with Extremely Low-Frequency Pneumatic Suspension



PRIMO® PROFESSIONAL

Technical data

Compact Seat

This innovative compact seat features a pneumatic suspension with a very low resonant frequency, making it ideal for tractors with limited space for installation. It can be quickly and flexibly set to different heights and operator weights using a single control. A lumbar support ideally protects the vertebrae of the lower back to reduce the risk of injury to the spinal disks. The backrest is asymmetrically shaped to provide more elbow room on the right and full back support on the left.



Features

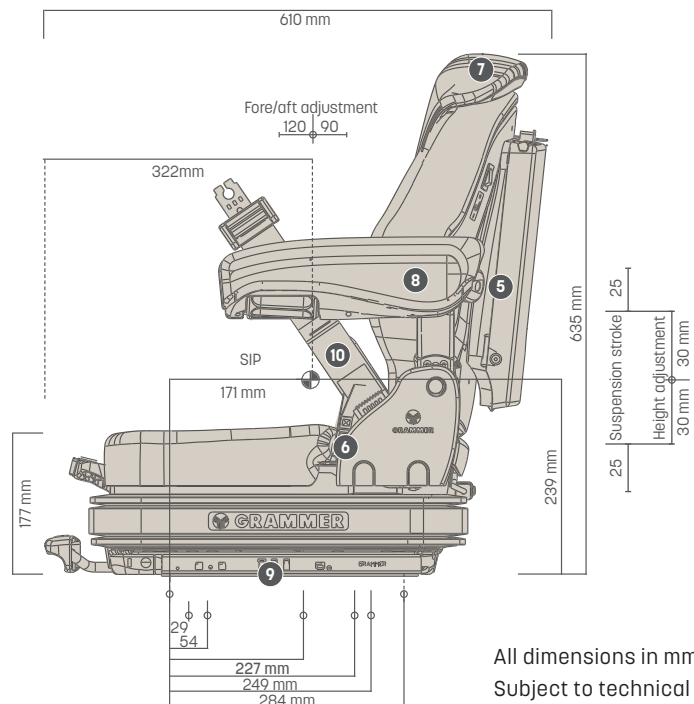
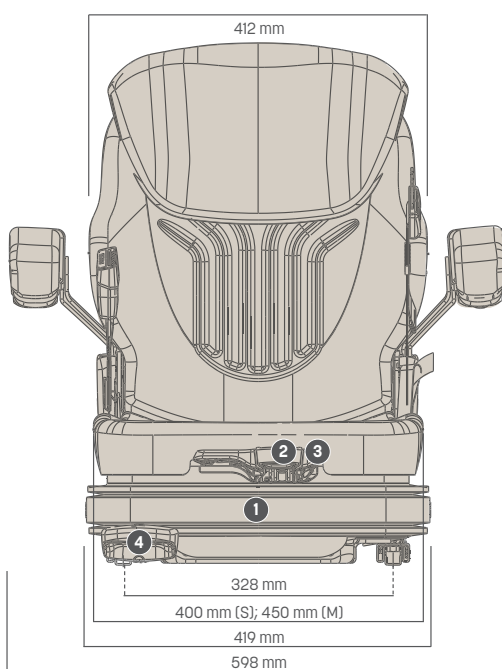
	PRIMO® PROFESSIONAL	
ARTICLE NO.	S	M
Fabric	1291748	1291749
Imitation leather	1212687	1212688
STANDARD FEATURES		
Shock absorber	●	●
1 Air suspension with 12 V compressor	●	●
Low-frequency suspension	●	●
2 Weight adjustment, 45-170 kg	●	●
3 Height adjustment, 60 mm	●	●
4 Fore/aft adjustment, 210 mm	●	●
5 Lumbar support, mechanical	●	●
6 Adjustable backrest angle	●	●

PRIMO® PROFESSIONAL

	S	M
7 Backrest extension, insertable	●	●
Seat cushion width	400 mm	450 mm
OPTIONAL FEATURES		
Document box	○	○
8 Armrests, adjustable angle, 60 mm x 320 mm	○	○
9 Fore/aft isolator	○	○
10 Restraint system, Duo-sensitive retractable belt	○	○
Seat heating	○	○
Operator presence switch (OPS)	○	○

Measurements (installation dimensions)

● STANDARD FEATURES ○ OPTIONAL FEATURES



All dimensions in mm.
Subject to technical changes.