



The product shown may differ from standard configuration.

# PRIMO<sup>®</sup> XL PLUS

Comfort Seat with Pneumatic Suspension

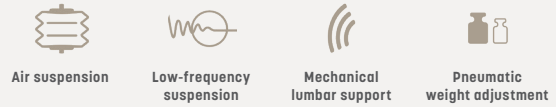


# PRIMO® XL PLUS

## Technical data

### Comfort seat

The Primo XL Plus excels with its low-constructed pneumatic suspension, which ensures comfortable driving. The 110 mm suspension travel gently compensates for even the roughest vibrations and jolts. It can be conveniently set to the operator's weight by pressing a button. A narrow yet comfortable upper seat section makes for fatigue-free work. The seat meets the latest safety requirements and is equipped with a seat and belt contact switch as well as a duosensitive ELR-belt system with orange belt straps as standard. Additionally, the Primo XL Plus features an individually adjustable, mechanical lumbar support.



### Features

ARTICLE NO.	PRIMO® XL PLUS
Fabric, compressor 12V	1453490
Fabric, compressor 24V	1453491
Imitation leather, 12V	1453489
<b>STANDARD FEATURES</b>	
Shock absorber, non-adjustable	●
Air suspension with compressor 12V/24V	●
Low-frequency suspension	●
Suspension stroke, 50 mm	●
<b>1</b> Weight adjustment, pneumatic, 45-170 kg	●
Height adjustment, 60mm	●
<b>2</b> Fore/aft adjustment, 210 mm	●
<b>3</b> Lumbar support, mechanical	●

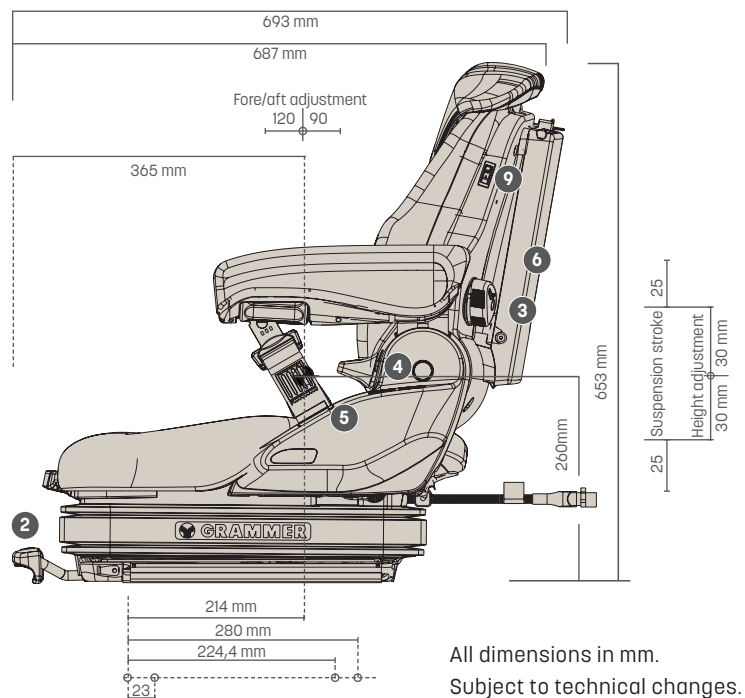
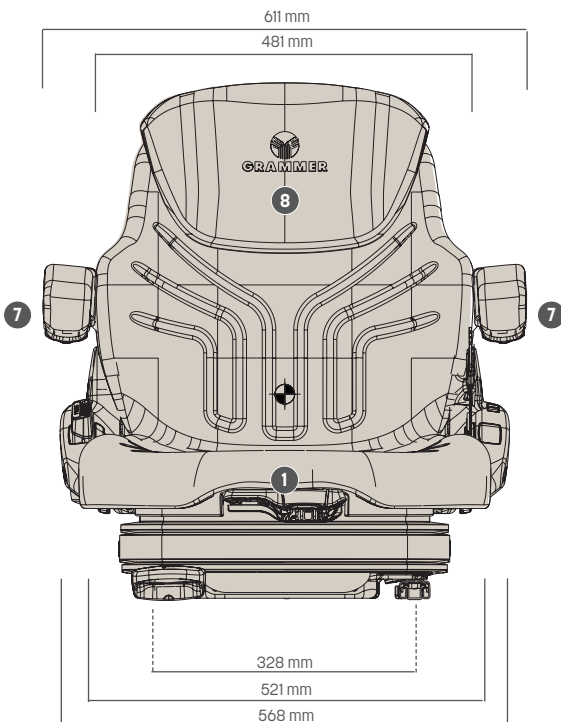
### PRIMO® XL PLUS

<b>4</b> Adjustable backrest angle	●
<b>5</b> ELR-belt system, duosensitive, orange belt	●
Belt buckle with contact switch	●
Seat cushion width	520 mm
Operator presence switch (OPS)	●
<b>OPTIONAL FEATURES</b>	
<b>6</b> Document box	○
<b>7</b> Armrests, adjustable angle, 60 mm x 320 mm	○
Fore/aft isolator*	○
<b>8</b> Backrest extension, integrated	○
<b>9</b> Seat heating	○

\* Fore/aft isolator not for earth-moving machinery

### Measurements (installation dimensions)

● STANDARD FEATURES ○ OPTIONAL FEATURES



All dimensions in mm.  
Subject to technical changes.